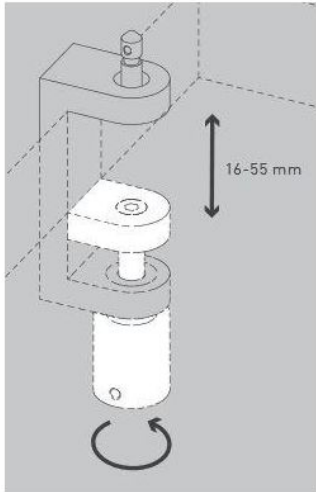



# Serien Lighting

## Job table clamp



### Technical details

<b>Country of Manufacture</b>	 Germany
<b>Manufacturer</b>	Serien Lighting
<b>Dimensions</b>	H 2 cm

### Description

The Serien Lighting Job table clamp is an accessory for the desk lamp Job. This table clamp can be used to convert a table lamp with a base or furniture adapter into a clamp lamp. The clamp is also suitable as a spare part for a clamp light. It can be used for tables between 1.6 cm and 5.5 cm thickness.