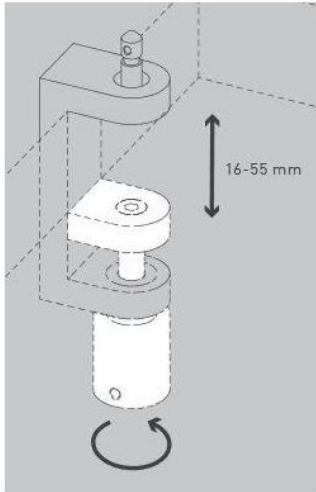



Serien Lighting

Job table clamp



Technical details

Land van fabricage	 Duitsland
fabrikant	Serien Lighting
Dimensions	H 2 cm

Omschrijving

The Serien Lighting Job table clamp is an accessory for the desk lamp Job. This table clamp can be used to convert a table lamp with a base or furniture adapter into a clamp lamp. The clamp is also suitable as a spare part for a clamp light. It can be used for tables between 1.6 cm and 5.5 cm thickness.